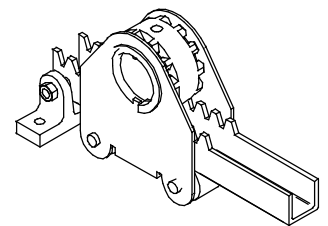
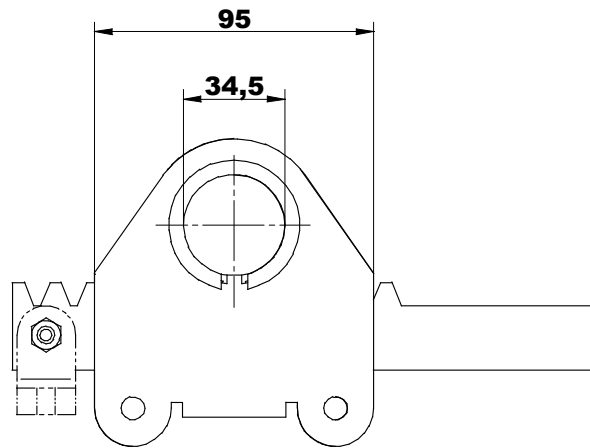
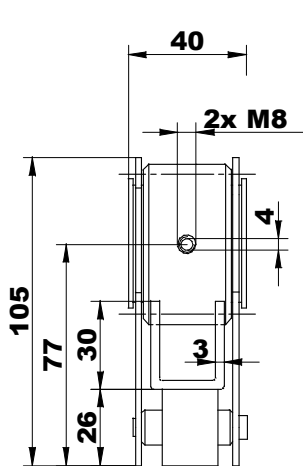


L1-45

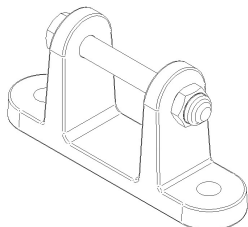
450N

Tandheugel-aandrijving
Gear rack drive
Zahnstangenantrieb
Boite de commande a crémaillère



L-Serie

TYPE		L1-45
F	[N]	450
i	[-]	1
n1(max)	[rpm]	40
	[mm/rev]	138
M	[Nm]	10
m	[kg]	0.45
IP	[-]	44
T	[°C]	-5...+52
L	[mm]	1025/1250/1350/1450/1650/1705/1750



RBS optioneel
RBS optional
RBS nach Wunsch
RBS optionnel