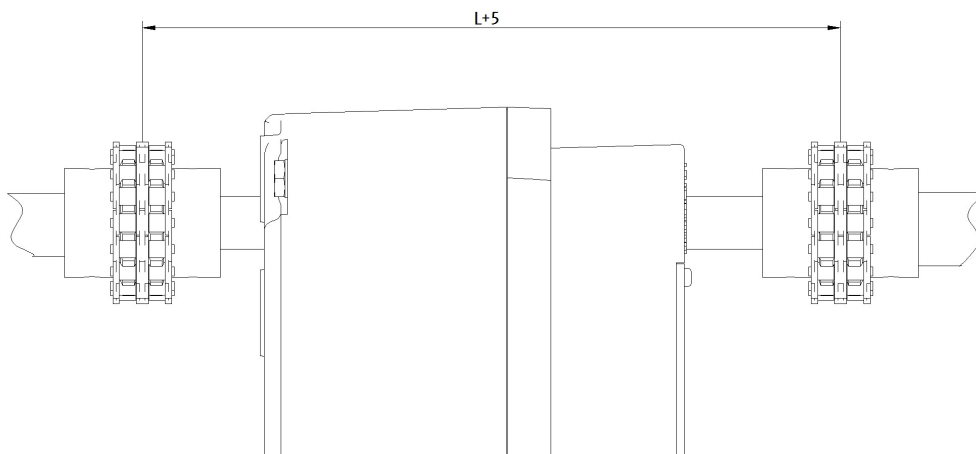
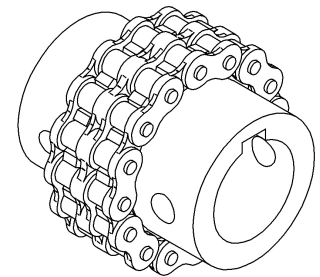
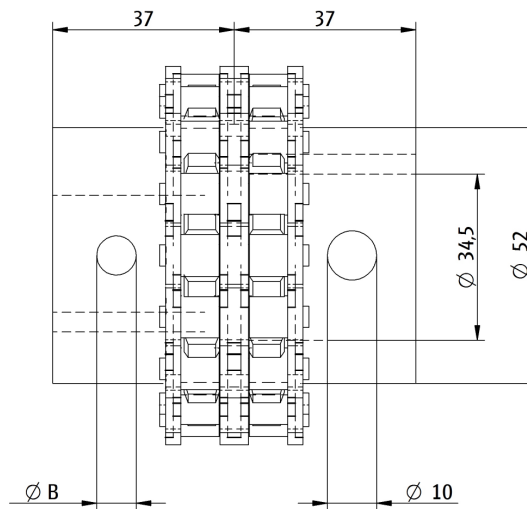
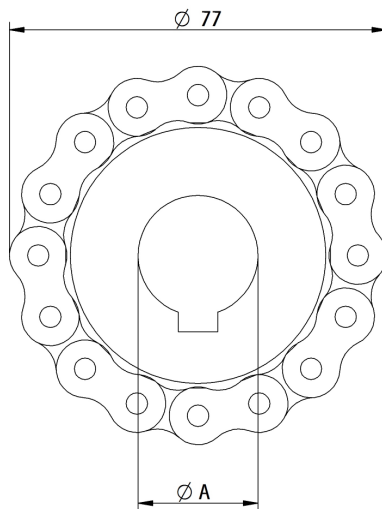


KS

300Nm

Kettingkoppeling
Chain coupling
Kettenkupplung
Accouplement a chaine



TYPE		KS20	KS25	KS35
M	[Nm]	200	300	300
ØA	[mm]	20	24.4	34.5
ØB	[mm]	8	8	10
m	[kg]	1.1	1	1
DIN 8187	[-]	08B2 (1/2" x 5/16")	08B2 (1/2" x 5/16")	08B2 (1/2" x 5/16")
Z	[-]	16	16	16

K-Serie