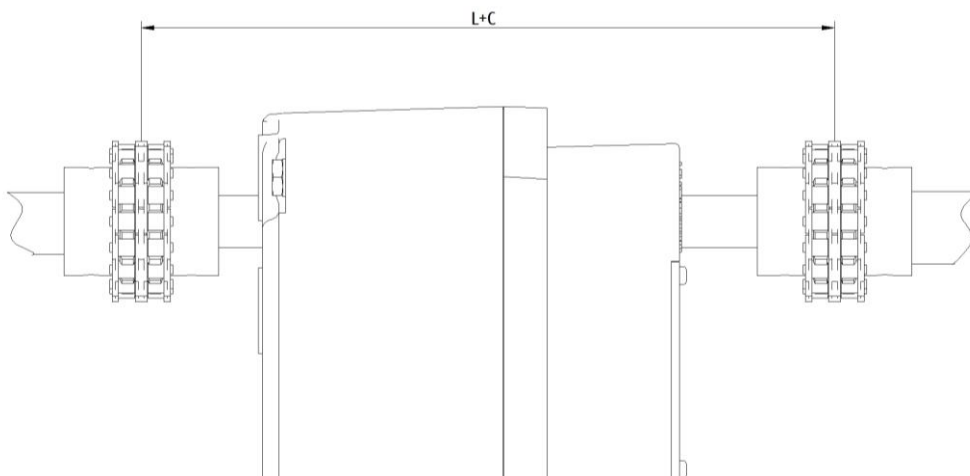
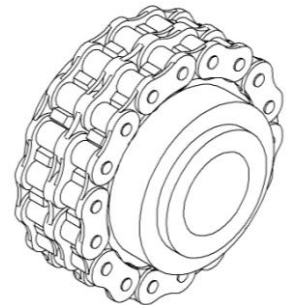
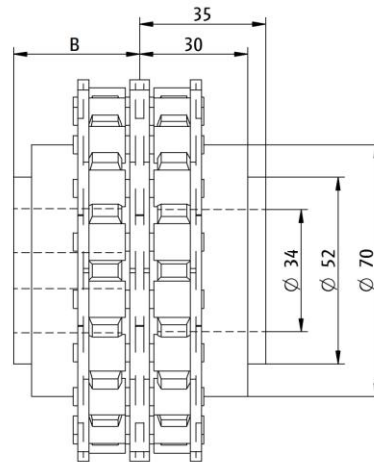
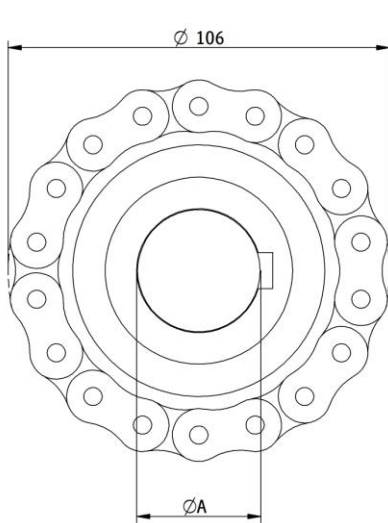


KG

1000Nm

Kettingkoppeling
Chain coupling
Kettenkupplung
Accouplement a chaine



TYPE		KG35	KG45
M	[Nm]	800	1000
ØA	[mm]	34.5	44.5
B	[mm]	35	50
C	[mm]	0	4
m	[kg]	2.1	2.1
DIN 8187	[-]	10B2 (5/8" x 3/8")	10B2 (5/8" x 3/8")
Z	[-]	18	18

K-Serie